

AERODROME CHART

29°56'06"N
034°56'27"E

ELEV 1 483 FT

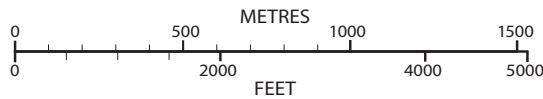
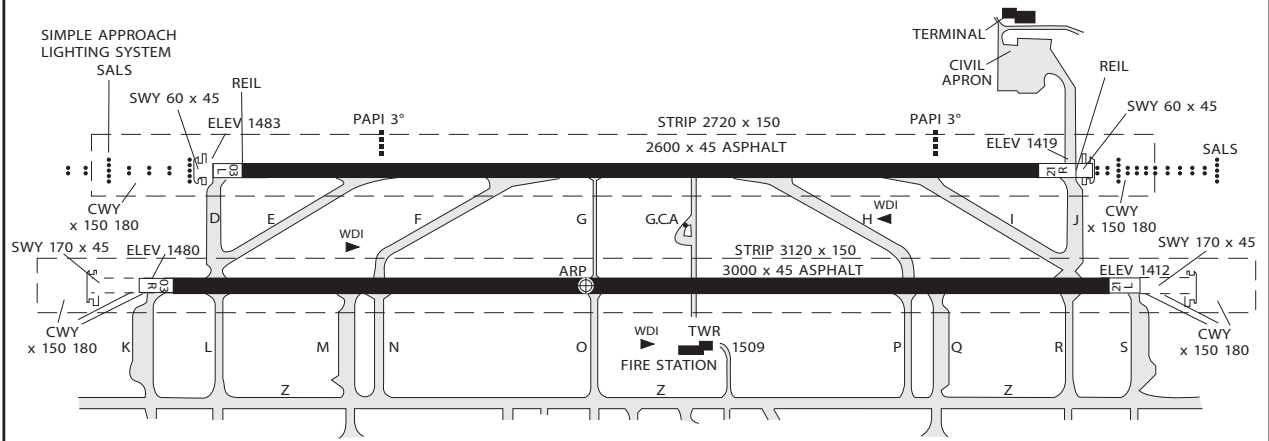
TWR 129.9

OVDA

RWY	DIRECTION	THR	BEARING STRENGTH
03L	018°	29° 55'53.42" N 034° 55'47.19" E	F/B/Y/U/44
21R	198°	29° 57'00.93" N 034° 56'18.29" E	/Asphalt Concrete (edges)
03R	018°	29° 55'43.10" N 034° 55'56.50" E	
21L	198°	29° 57'02.72" N 034° 56'33.18" E	

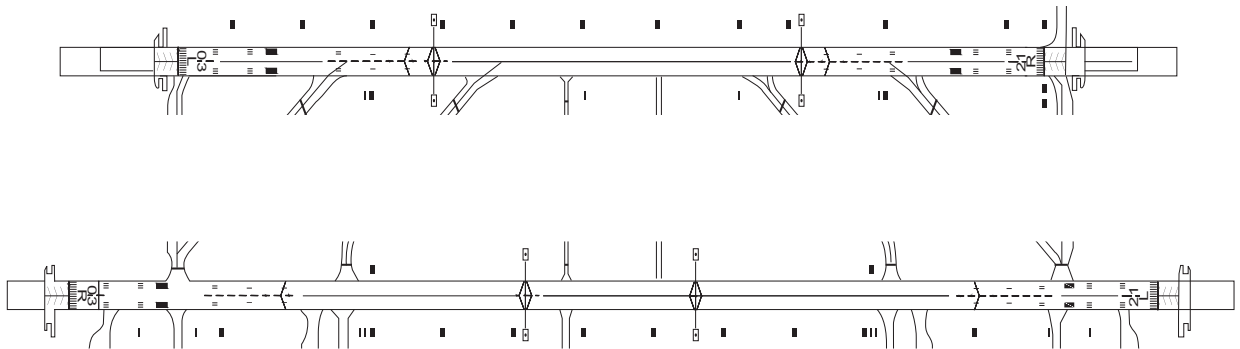
VAR 4°E 2012
ANNUAL RATE
OF CHANGE 3" E

ELEVATIONS ARE IN FEET
DIMENSIONS ARE IN METRES
BEARINGS ARE MAGNETIC

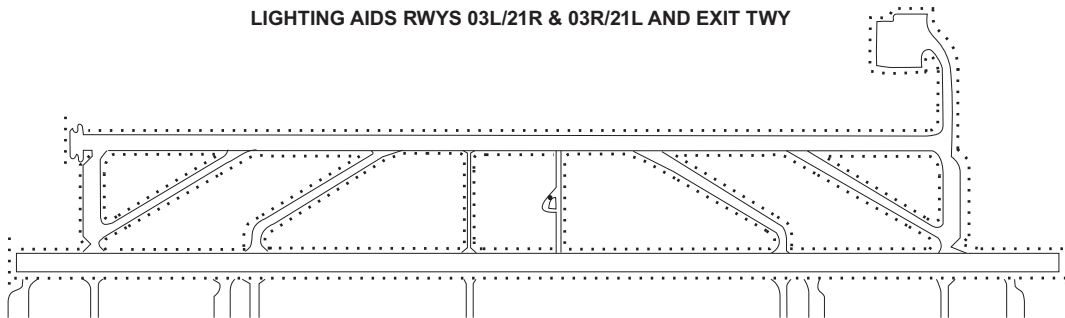


NOTES: ARRESTING CABLES ARE PERMANENTLY RIGGED.

MARKING AIDS 03L/21R & 03R/21L AND EXIT TWY



LIGHTING AIDS RWYS 03L/21R & 03R/21L AND EXIT TWY



NOTE: Lighting aids do not conform to ICAO standards.