

AERODROME CHART

29°56'06"N
034°56'27"E

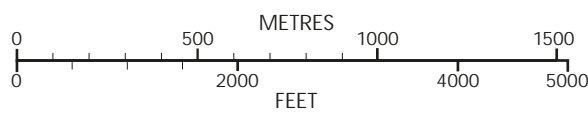
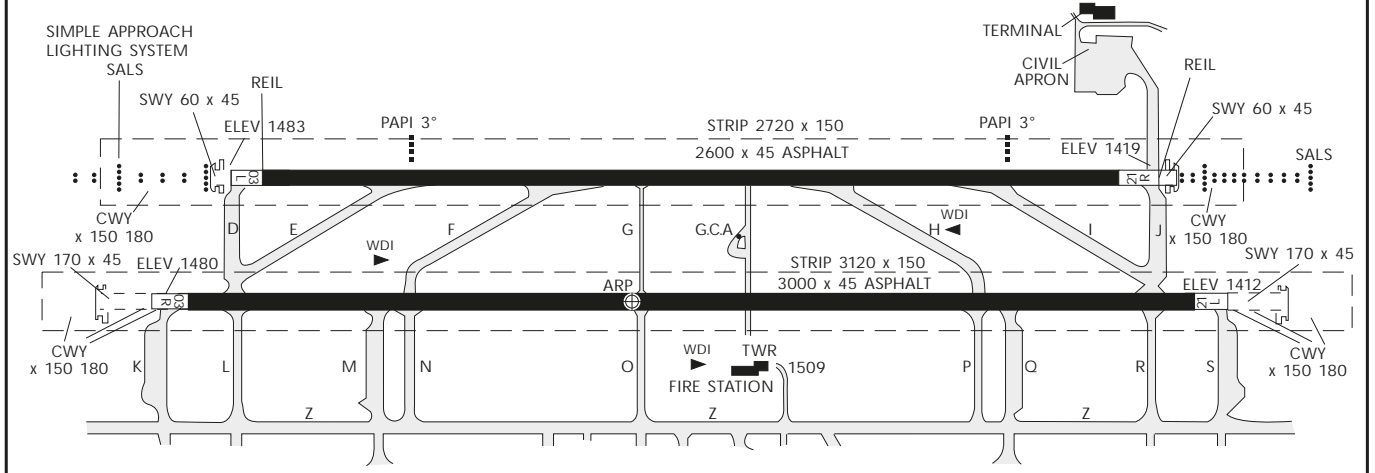
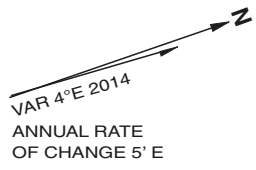
ELEV 1 483 FT

TWR 129.9

OVDA

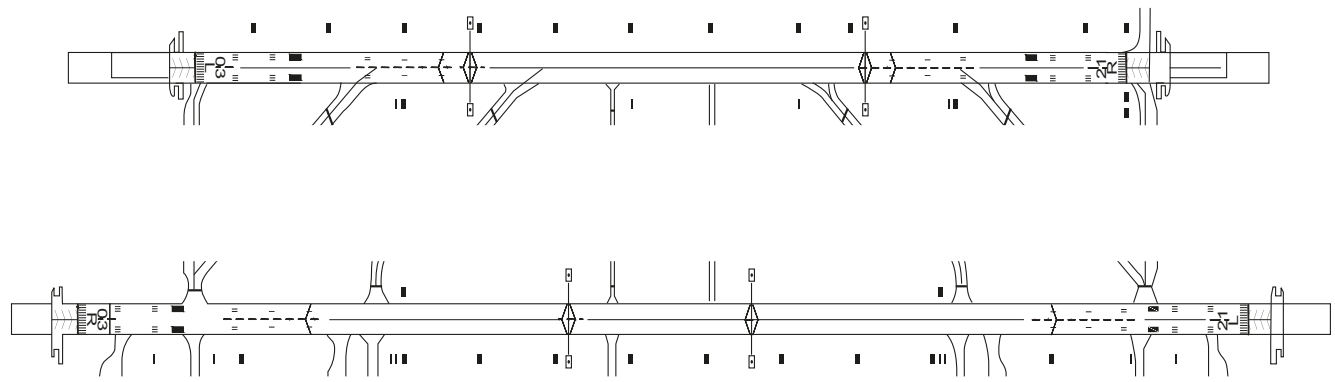
RWY	THR	BEARING STRENGTH
03L	29° 55' 53.42" N 034° 55' 47.19" E	F/B/Y/U/44 Asphalt/ Concrete edges
21R	29° 57' 00.93" N 034° 56' 18.29" E	
03R	29° 55' 43.10" N 034° 55' 56.50" E	
21L	29° 57' 02.72" N 034° 56' 33.18" E	

ELEVATIONS ARE IN FEET
DIMENSIONS ARE IN METRES
BEARINGS ARE MAGNETIC

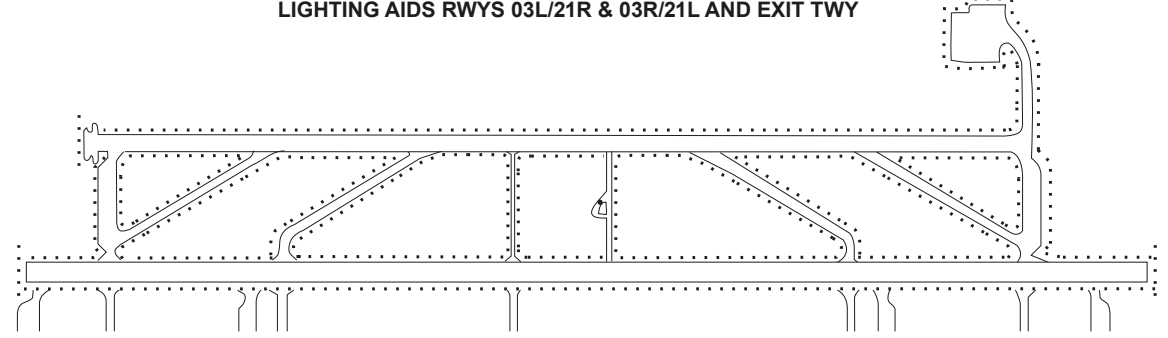


NOTES: ARRESTING CABLES ARE PERMANENTLY RIGGED.

MARKING AIDS 03L/21R & 03R/21L AND EXIT TWY



LIGHTING AIDS RWYS 03L/21R & 03R/21L AND EXIT TWY



NOTE: Lighting aids do not conform to ICAO standards.

CHANGES: RWY direction withdrawn, MAG VAR